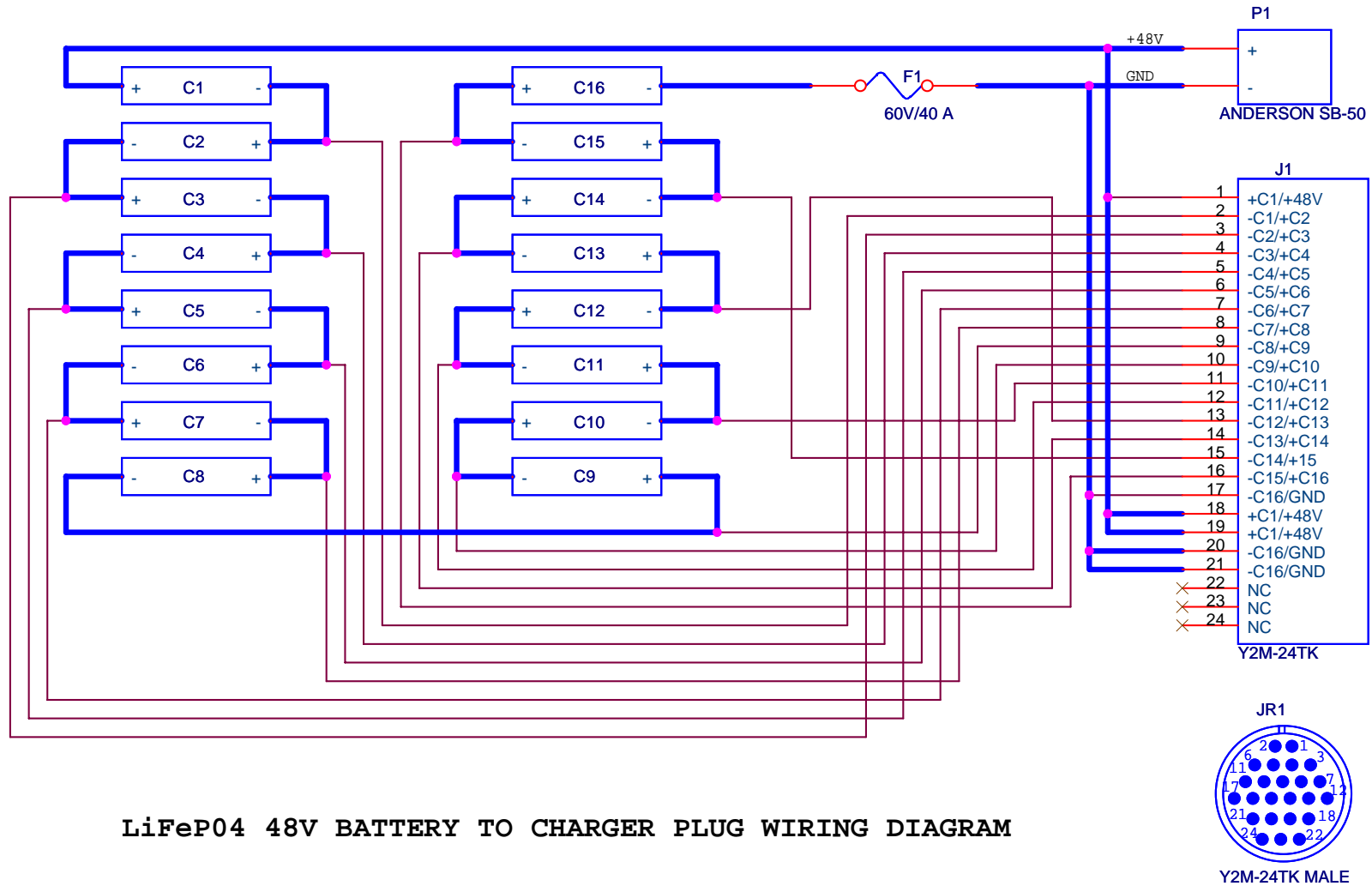


1. THICK WIRES MUST BE 12 GAUGE MINIMUM RATED FOR 40 AMPS.



LiFeP04 48V BATTERY TO CHARGER PLUG WIRING DIAGRAM

DEBA DALLAS ELECTRIC BIKE ASSOCIATION		
DRAWN BY: DAL LOCKE CHECKED BY: DOUG CANFIELD		
Title		
LiFeP04 48V BATTERY TO CHARGER PLUG WIRING DIAGRAM		
Size	Document Number	Rev
A		A
Date:	Thursday, July 16, 2009	Sheet 1 of 1