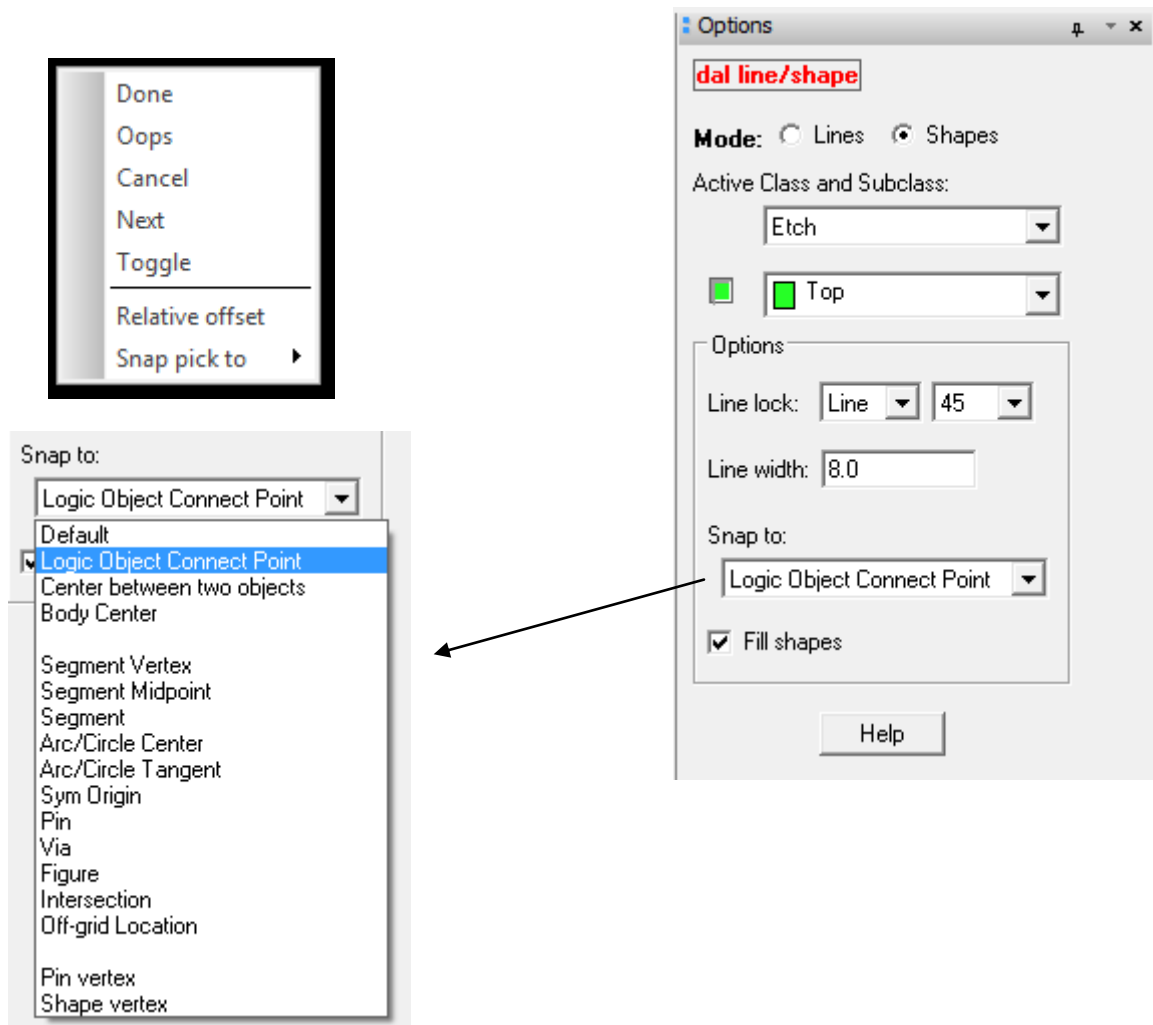


Line/Shape

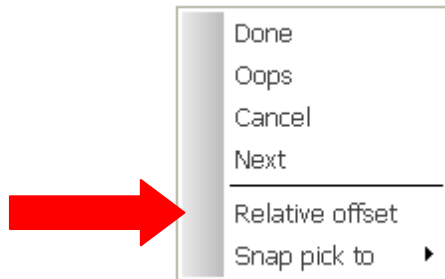
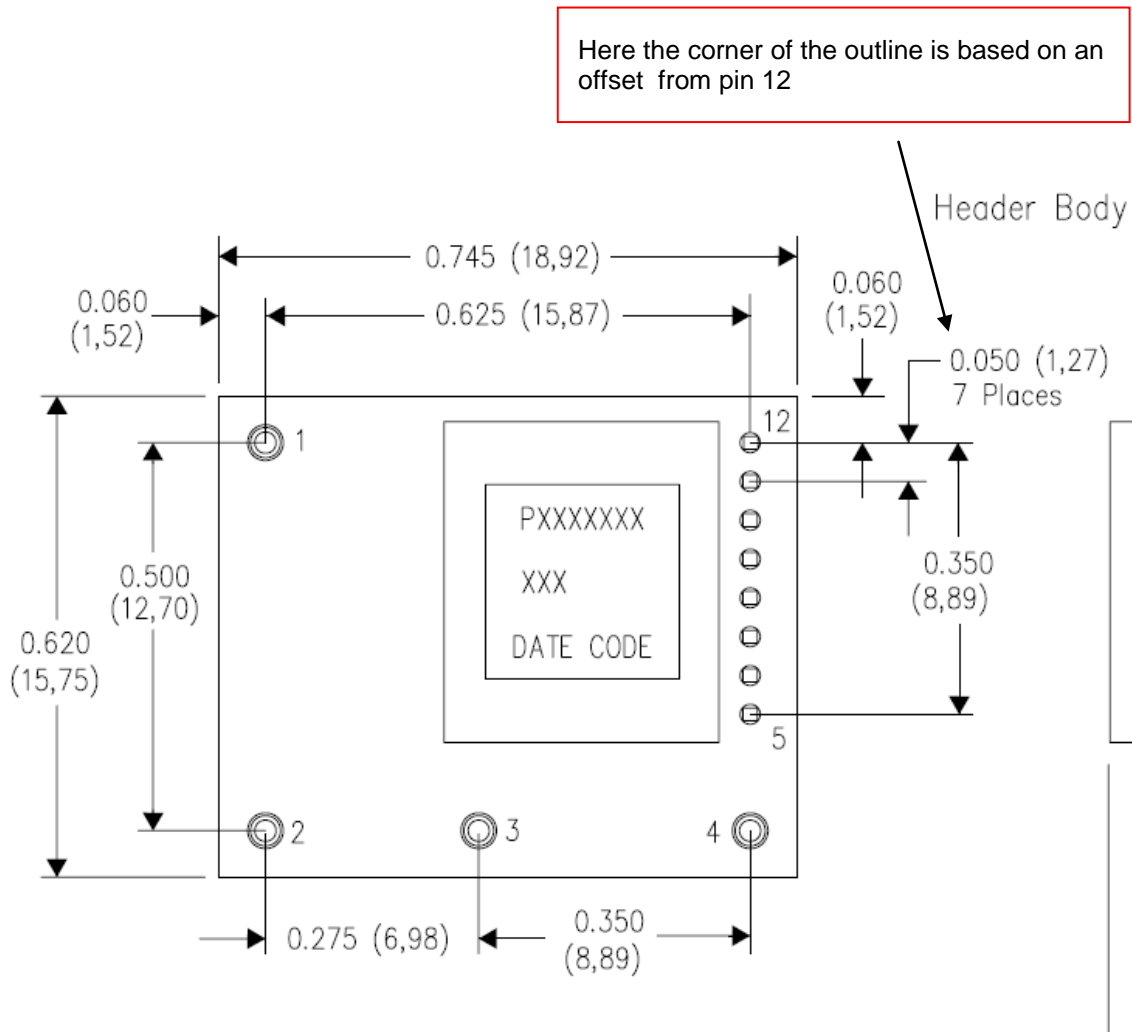
Add lines and shapes with enhanced object snap capability.

Features:

- Add lines (not connect lines) with extended intelligent object snapping and centering.
- Relative offsets can be selected from other object points.
- Dynamic Arc/Circle Tangent snapping.



Example



Useful when building parts with relative offsets

Help

